



■ PRODUCT DATASHEET

Smart Locker Cabinet Mini Wall.

Plug & play Smart Locker cabinets
made from steel.

■ PRODUCT DATASHEET

Smart Locker Cabinet Mini Wall

High-quality Smart Locker Cabinet, featuring reinforced “in-laying” doors and eco-friendly construction. This storage solution is designed for both practicality and durability, making it an excellent choice for various spaces.

- Versatile Design, Ideal for Modern Spaces
- Reinforced “In-Laying” Doors for Enhanced Safety
- Eco-Friendly Construction with High-Quality Steel Sheet



Technical Specifications

Our steel Smart Locker Cabinets are meticulously crafted with durability and versatility in mind, providing seamless storage solutions for a variety of environments.

Constructed from high-quality cold-rolled furniture sheet steel and finished with a scratch-resistant powder coating, these Smart Locker Cabinets offer unparalleled resilience.

Our cabinets are designed to meet diverse storage needs, offering robust solutions for any space.

GENERAL

Compartments	Easy cleaning of the compartments due to smooth shelves without backsplash
Door design	In-laying doors
Material cabinet	High-quality steel sheet (1.0 mm)
Material doors	High-quality steel sheet (1.2 mm)
Empty weight 3x3 locker cabinet	49 kg
Empty weight 3x6 locker cabinet	57 kg
Usability	All screws that can be seen by users are TORX
Intended use environment	Indoor
Shipping	Cabinets are individually packed for easy shipping placement

CABINET

Lacquering body	Environmentally-friendly powder coating
Powder coat thickness	80 microns
Color	Based on standard RAL colors, see color document
Cabinet texture	Sand blasted, smooth finish

DOOR

Lacquering doors	Environmentally-friendly powder coating
Powder coat thickness	80 microns
Color	Based on standard RAL colors, see color document
Door front texture	Sand blasted smooth finish
Opening direction	Right opening
Reinforced stainless steel pin hinge	Integrated stainless steel pin

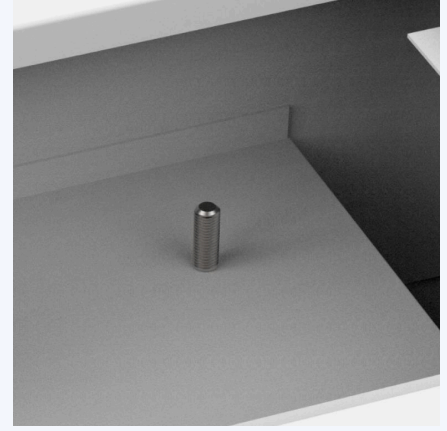
DETAILED SPECIFICATION



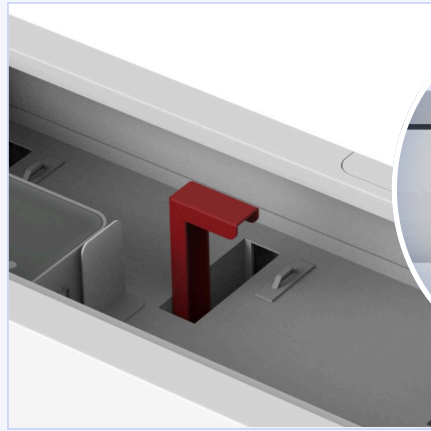
Top door



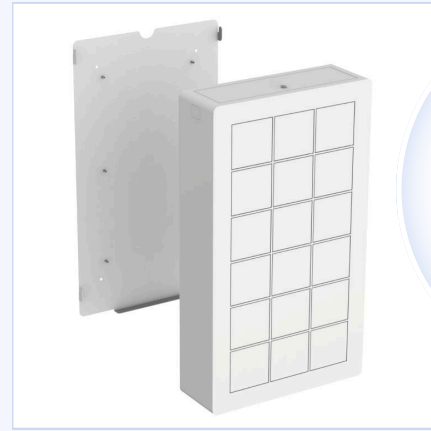
Easy lock replacement



Grounding rod



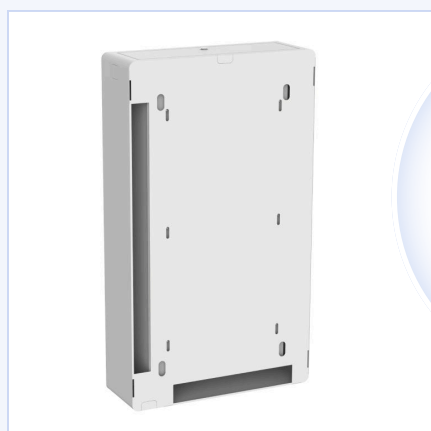
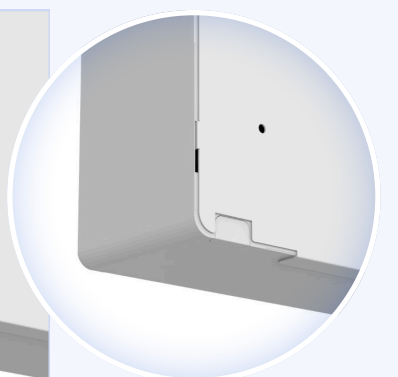
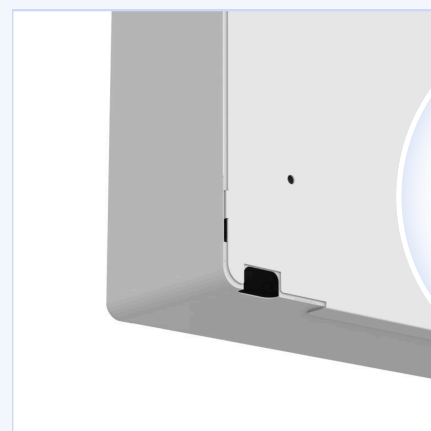
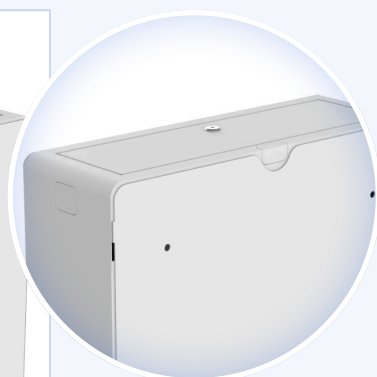
Mechanical emergency opening



Wall mount frame



Break away hole for cable management



Easily accessible cable spaces



■ PRODUCT DATASHEET

Locking Technology

Storing personal and company belongings has been very important for many years. Nowadays it is also essential that this can be done quickly, easily, safely, and with due regard for privacy. The storage options are endless and can be fully adapted to the wishes of the users.

Smart Lock René

The game changer in the smart locking industry. Possibility to use as both push2open and pop2open. In case of a power shutdown, the mechanical emergency override will make sure lockers can still be opened.

- 2 ways of cable connection
- Mechanical emergency opening
- Cabinet mount or profile mount
- Push- & Pop2open by software
- Plug & Play
- Easy to install

Smart Home Teacher V3

The compact designed Smart Homes are the backbones of our smart locking system. Easy to install and connect, with up to 16 locks per unit. The Smart Home Teacher is the basis and can control up to 13 Smart Home Students, operating 224 locks in total.

- Plug & Play
- Connect up to 13 Students on 1 teacher
- Open all locks emergency opening
- Connect Smart Lock Rene + Add-ons
- Status LEDs
- LAN

Smarty 8 Inch

The Smarty touch screens offer extra locker control options for users and administrators, like PIN code and RFID access.

- Plug & Play
- Extended user possibilities with PIN+RFID
- Administrator login functionalities
- Full range of scenario possibilities



■ PRODUCT DATASHEET

Dimensions

Our steel Smart Locker Mini Wall Cabinets are available in two sizing options to accommodate any expansion needs.

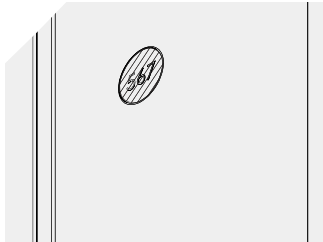
	Total height	Internal height per locker*	Width	Internal width per locker*	Depth	Internal depth per locker*
	1025 mm	145 mm	590 mm	127 mm	200 mm	183 mm
	1025 mm	145 mm	590 mm	127 mm	200 mm	183 mm

* Sizes are shown as average sizes and may deviate in real life.

■ PRODUCT DATASHEET

Exterior Accessories

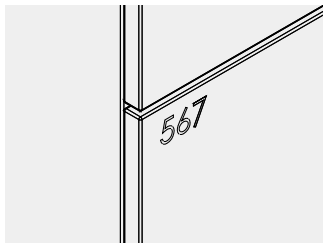
Enhance the functionality and customization of your steel Smart Locker Cabinets with our range of accessories.



Numbering Plate Aluminum (Flush)

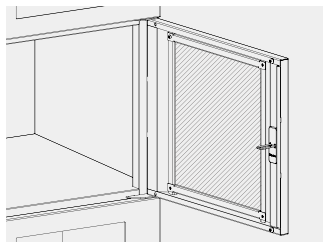
Simplify locker management with this circular number plate (Ø 50mm) made out of aluminum. The plate will be integrated in the door and leaves a smooth and flush surface.

Available in colours: Black, Gold, Red, Green and Blue.



Numbering Sticker

This sticker can be placed directly on the door for simplified locker management. Available in colours: Black, Silver/Gray, and White.



Transparent Doors

The full cabinet will be provided with transparent (Plexiglass) doors, allowing the user to have a view of the inside of the door without opening it. The Plexiglass plate is 6mm thick.

■ PRODUCT DATASHEET

Technology Accessories

Enhance the functionality and customization of your Smart Locker Cabinet with our range of accessories.



Basic RFID Reader (Mifare)

This RFID Reader supports MiFare technology to enable secure and flexible user identification. It ensures quick access to lockers while maintaining a straightforward and cost-effective solution for everyday use.



Advanced RFID Reader (HID)

This RFID Reader supports HID technology to provide secure and flexible user identification. It is designed for environments requiring higher security levels and seamless integration with existing access control systems.



Payment Terminal Contactless and PIN

A multifunctional payment terminal that is optimally suited for unattended environments, both indoors and outdoors. This terminal has a camera for scanning barcodes, an antenna for cellular communication, and a pre-installed SIM card. This payment terminal allows users to pay quickly and securely with a debit card or mobile wallet.



Cover TUX (Profile Mount)

This Smart Lock cover allows users to charge devices via USB-A and USB-C. It also improves ease of use by providing integrated LED lighting for enhanced in-locker visibility.

Data sheets that are also available:

- Smarty 8 inch
- Smarty 10 inch
- Smarty 15 inch
- Smarty Headless
- RFID Reader panel
- Smart Home Teacher
- Smart Home Student
- Smart Home Power Supply
- Door Shackle Brighty
- Door Shackle Click
- Cover Suit
- Cover TUX
- Smart Lock Rene
- Battery Lock LEO PIN
- Battery Lock LEO RFID
- Battery Pack Square
- Battery Pack Tall
- Battery Lock LEO Latch
- Battery Lock LEO Horizontal PIN
- Battery Lock LEO Horizontal RFID
- Battery Lock LEO IP65
- Payterm Contactless & PIN
- Payterm Contactless Only
- QR Reader IP65
- Lock Profile
- Advanced RFID Reader
- Basic RFID Reader
- Smart Lock 1.0
- Door Shackle Smart Lock 1.0
- Cover Smart Lock 1.0



Need support?

 +31 (085)-489 13 35

 support@keynius.eu