



■ PRODUCT DATASHEET

Smart Locker Cabinet SOLID.

Plug & play smart locker cabinets,
made from HPL.

■ PRODUCT DATASHEET

Smart Locker Cabinet

SOLID

High-quality Smart Locker Cabinet, featuring reinforced “front-laying” doors, customizable dimensions, and eco-friendly construction. This storage solution is designed for both practicality and durability, making it an excellent choice for various spaces.

- Versatile Design, Ideal for Modern Spaces
- Reinforced “Front-Laying” Doors for Enhanced Safety
- Customizable Dimensions
- Eco-Friendly Construction with High Pressure Laminate



Technical Specifications

Our HPL locker cabinets are crafted with durability and versatility in mind, offering seamless storage solutions for various environments. Engineered for robust storage solutions, we offer versatile configurations to meet several storage needs. Compact Laminated from mixed glue + recycled paper with HPL top layer.

GENERAL

Compartments	Easy cleaning of the compartments due to smooth shelves without backsplash
Door design	Front laying doors with minimal seams for a modern design
Material cabinet	Compact laminated boards (12 mm)
Material doors	Compact laminated boards (12 mm)
Material base	Compact laminated boards (12 mm)
Single column empty weight	63 - 165 kg
Dual column empty weight	96 - 278 kg
Usability	All screws that can be seen by users are TORX
Intended use environment	Indoor or humid areas

CABINET

Material finish body/doors	Cabinets made of full compact High Pressure Laminate
Color body	Standard white interior (other interior colors on request)
Cabinet texture	Multi-purpose and robust surface. Suitable for use in very high-traffic environments. <ul style="list-style-type: none"> • Hard wearing creations • Impact and abrasion resistant • Stain resistant • Quick and easy to clean • High resistance in heavy duty applications • Non-porous, waterproof
Assembly state	Cabinet fully assembled.
Firegrade	Firegrade B

DOOR

Doors	Cabinets made of full compact High Pressure Laminate
Color	See color chart
Door front texture	See Cabinet texture (above)
Opening direction	Right opening
Rotation limiter	Hinge integrated door limiter (max. 95 deg.)
Hinge type	High-quality stainless steel hinge
Firegrade	Firegrade B

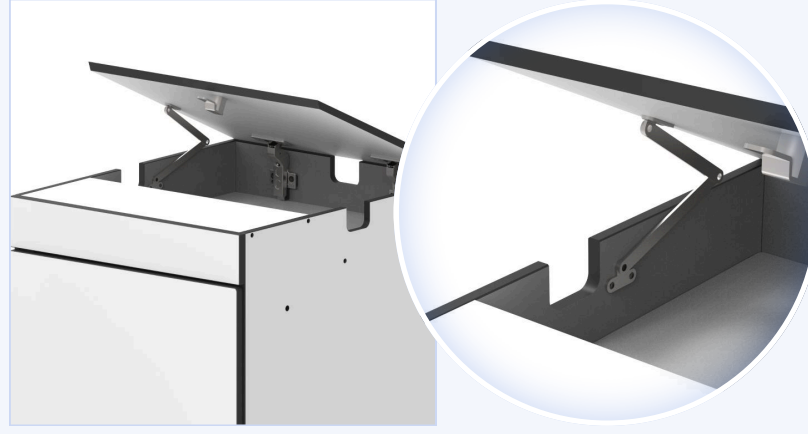
BASE

Base

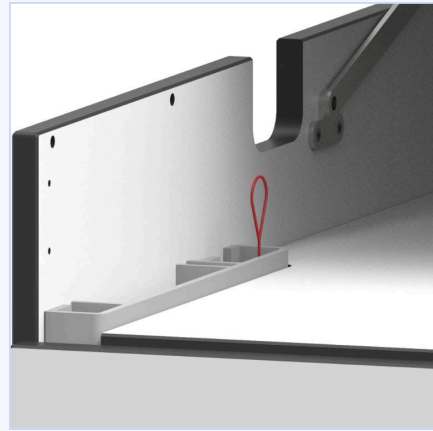
The cabinet always stands on a 100 mm high plinth. This plinth is a closed skirting board box made of residual materials with a decor skirting board in the same color as the doors.

Plinth is equipped with smart leveling system for perfect alignment.

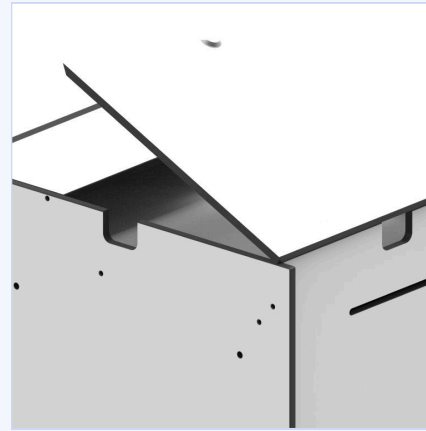
DETAILED SPECIFICATION



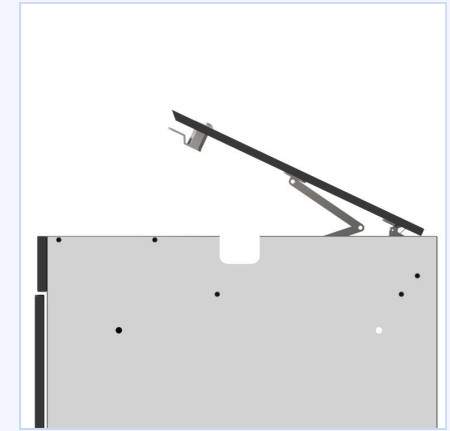
Technical compartment



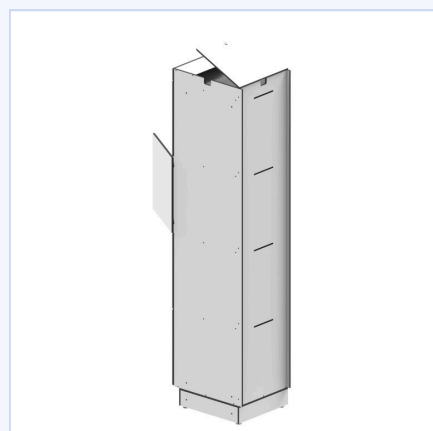
Mechanical emergency opening



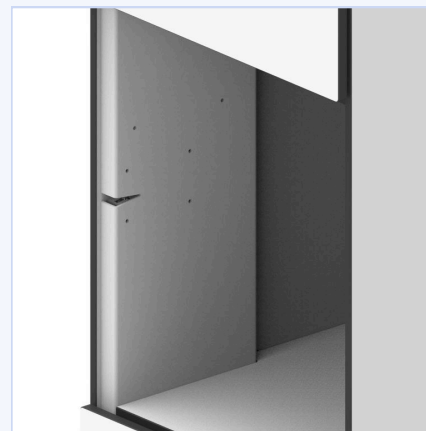
Holes for cable management



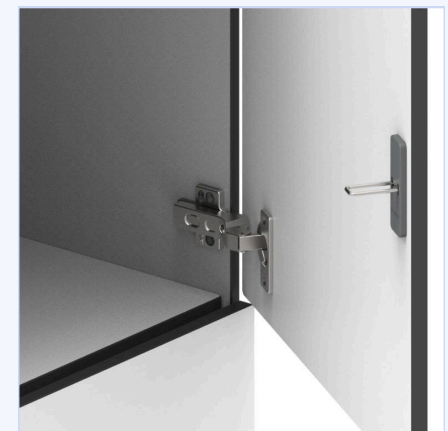
Cabinet connection holes



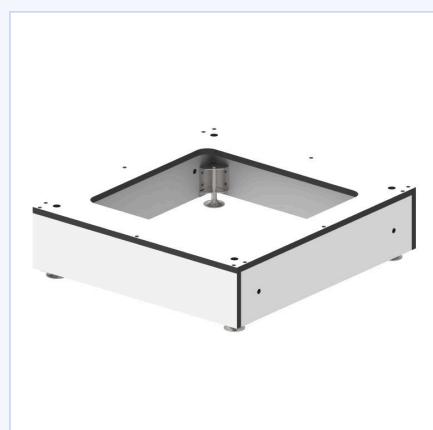
Mechanical ventilation and cable space



Lock profile



Integrated adjustable hinges



Base



Adjustable feet

■ PRODUCT DATASHEET

Locking Technology

Storing personal and company belongings has been very important for many years. Nowadays it is also essential that this can be done quickly, easily, safely and with due regard for privacy. The storage options are endless and can be fully adapted to the wishes of the users.

Smart Lock René

The game changer in the smart locking industry. Possibility to use as both push2open and pop2open. In case of a power shutdown, the mechanical emergency override will make sure lockers can still be opened.

- 2 ways of cable connection
- Mechanical emergency opening
- Cabinet mount or profile mount
- Push- & Pop2open by software
- Plug & Play
- Easy to install

Smart Home Teacher V3

The compact designed Smart Homes are the backbones of our smart locking system. Easy to install and connect, with up to 16 locks per unit. The Smart Home Teacher is the basis and can control up to 13 Smart Home Students, operating 224 locks in total.

- Plug & Play
- Connect up to 13 Students on 1 teacher
- Open all locks emergency opening
- Connect Smart Lock Rene + Add-ons
- Status LEDs
- LAN



■ PRODUCT DATASHEET

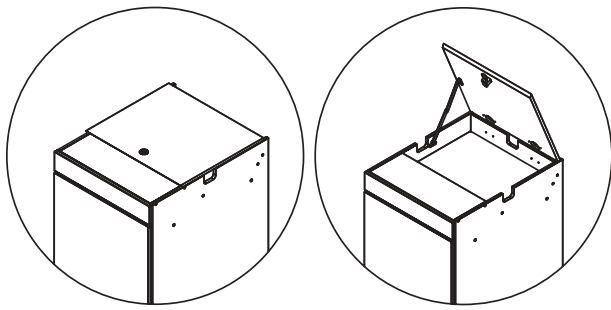
HPL Smart Locker Cabinets

Our HPL Smart Locker Cabinets are available in 3 models: Standard, Front Access and Sloping Top.

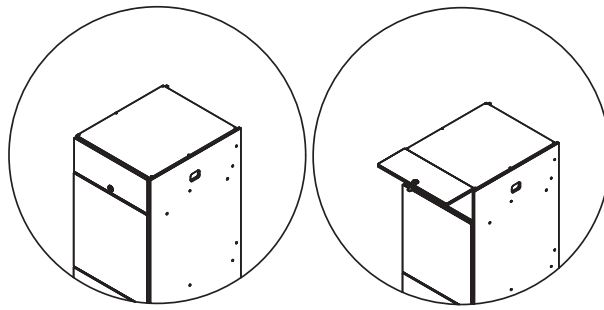
The visual below shows the differences between the models, as well as the similarities.

The internal dimensions per locker, are equal for all models. Only the technical compartment and the resulting total height of the locker cabinet is different.

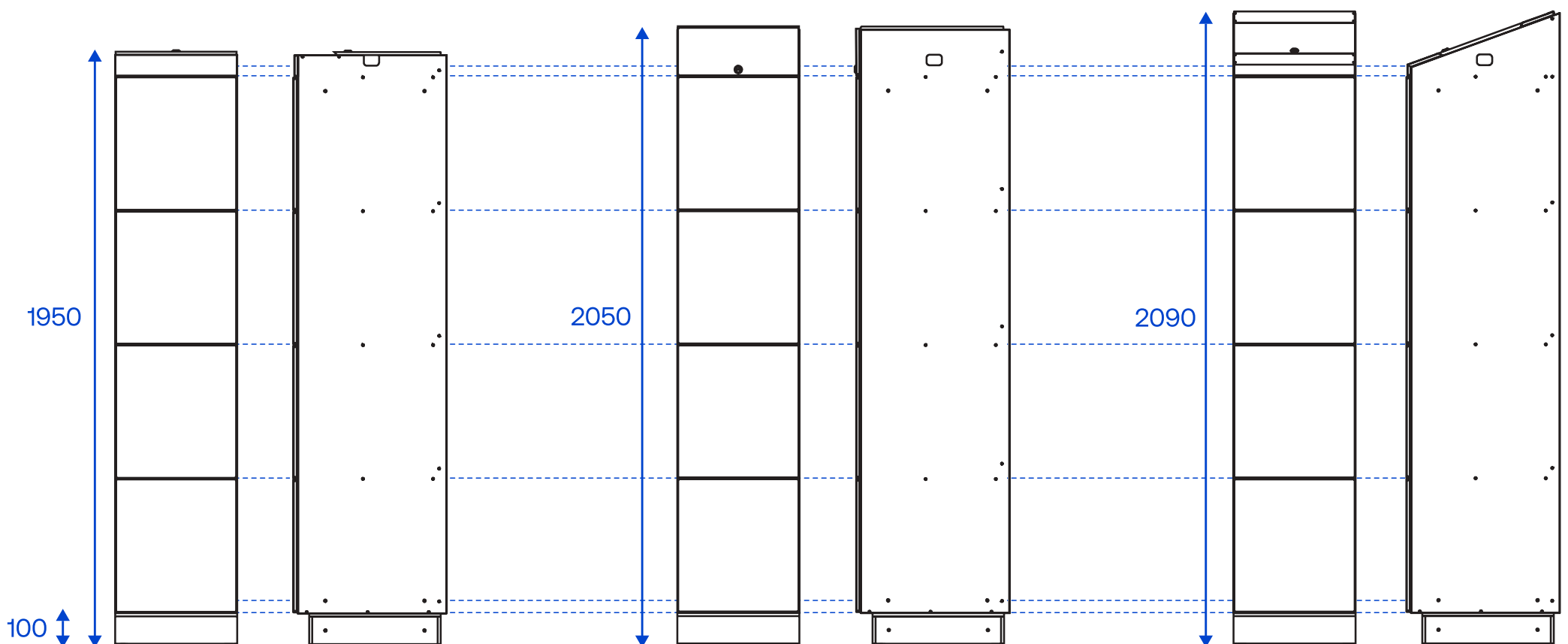
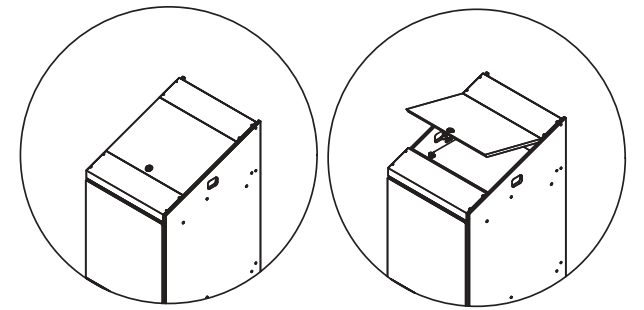
Standard model
(Default)



Front Access model
(On request)



Sloping Top model
(Accessory)









■ PRODUCT DATASHEET





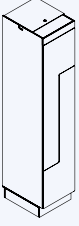
Dimensions

Our HPL locker cabinets are available in a range of sizing options to accommodate diverse storage needs. Select various configurations, with 1-10 doors per column, for tailored storage solutions.

ONE COLUMN

	Column	Lockers	Total height	Internal height per locker*	Width	Internal width per locker*	Depth	Internal depth per locker*
	1	1	1950 mm	1736 mm	300 mm	248 mm	400 mm	351 mm
					350 mm	298 mm	500 mm	451 mm
					400 mm	348 mm	650 mm	601 mm
							850 mm	801 mm
	1	2	1950 mm	862 mm	300 mm	248 mm	400 mm	351 mm
					350 mm	298 mm	500 mm	451 mm
					400 mm	348 mm	650 mm	601 mm
							850 mm	801 mm
	1	3	1950 mm	571 mm	300 mm	248 mm	400 mm	351 mm
					350 mm	298 mm	500 mm	451 mm
					400 mm	348 mm	650 mm	601 mm
							850 mm	801 mm
	1	4	1950 mm	425 mm	300 mm	248 mm	400 mm	351 mm
					350 mm	298 mm	500 mm	451 mm
					400 mm	348 mm	650 mm	601 mm
							850 mm	801 mm
	1	5	1950 mm	338 mm	300 mm	248 mm	400 mm	351 mm
					350 mm	298 mm	500 mm	451 mm
					400 mm	348 mm	650 mm	601 mm
							850 mm	801 mm
	1	6	1950 mm	279 mm	300 mm	248 mm	400 mm	351 mm
					350 mm	298 mm	500 mm	451 mm
					400 mm	348 mm	650 mm	601 mm
							850 mm	801 mm

ONE COLUMN

	Column	Lockers	Total height	Internal height per locker*	Width	Internal width per locker*	Depth	Internal depth per locker*
	1	7	1950 mm	238 mm	300 mm	248 mm	400 mm	351 mm
					350 mm	298 mm	500 mm	451 mm
					400 mm	348 mm	650 mm	601 mm
							850 mm	801 mm
	1	8	1950 mm	207 mm	300 mm	248 mm	400 mm	351 mm
					350 mm	298 mm	500 mm	451 mm
					400 mm	348 mm	650 mm	601 mm
							850 mm	801 mm
	1	9	1950 mm	182 mm	300 mm	248 mm	400 mm	351 mm
					350 mm	298 mm	500 mm	451 mm
					400 mm	348 mm	650 mm	601 mm
							850 mm	801 mm
	1	10	1950 mm	163 mm	300 mm	248 mm	400 mm	351 mm
					350 mm	298 mm	500 mm	451 mm
					400 mm	348 mm	650 mm	601 mm
							850 mm	801 mm
	1	Z	1950 mm	-	300 mm	248 mm	400 mm	351 mm
					350 mm	298 mm	500 mm	451 mm
					400 mm	348 mm	650 mm	601 mm
							850 mm	801 mm

* Sizes are shown as average sizes and may deviate in real life.

TWO COLUMN

	Column	Lockers	Total height	Internal height per locker*	Width	Internal width per locker*	Depth	Internal depth per locker*
	2	1	1950 mm	1736 mm	600 mm	248 mm	400 mm	351 mm
					700 mm	298 mm	500 mm	451 mm
					800 mm	348 mm	650 mm	601 mm
							850 mm	801 mm
	2	2	1950 mm	862 mm	300 mm	248 mm	400 mm	351 mm
					350 mm	298 mm	500 mm	451 mm
					400 mm	348 mm	650 mm	601 mm
							850 mm	801 mm
	2	3	1950 mm	571 mm	600 mm	248 mm	400 mm	351 mm
					700 mm	298 mm	500 mm	451 mm
					800 mm	348 mm	650 mm	601 mm
							850 mm	801 mm
	2	4	1950 mm	425 mm	600 mm	248 mm	400 mm	351 mm
					700 mm	298 mm	500 mm	451 mm
					800 mm	348 mm	650 mm	601 mm
							850 mm	801 mm
	2	5	1950 mm	338 mm	600 mm	248 mm	400 mm	351 mm
					700 mm	298 mm	500 mm	451 mm
					800 mm	348 mm	650 mm	601 mm
							850 mm	801 mm
	2	6	1950 mm	279 mm	600 mm	248 mm	400 mm	351 mm
					700 mm	298 mm	500 mm	451 mm
					800 mm	348 mm	650 mm	601 mm
							850 mm	801 mm
	2	7	1950 mm	238 mm	600 mm	248 mm	400 mm	351 mm
					700 mm	298 mm	500 mm	451 mm
					800 mm	348 mm	650 mm	601 mm
							850 mm	801 mm
	2	8	1950 mm	207 mm	600 mm	248 mm	400 mm	351 mm
					700 mm	298 mm	500 mm	451 mm
					800 mm	348 mm	650 mm	601 mm
							850 mm	801 mm

TWO COLUMN

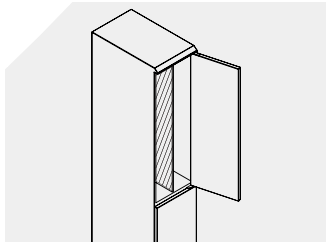
	Column	Lockers	Total height	Internal height per locker*	Width	Internal width per locker*	Depth	Internal depth per locker*
	1	9	1950 mm	182 mm	600 mm	248 mm	400 mm	351 mm
					700 mm	298 mm	500 mm	451 mm
					800 mm	348 mm	650 mm	601 mm
							850 mm	801 mm
	1	10	1950 mm	163 mm	600 mm	248 mm	400 mm	351 mm
					700 mm	298 mm	500 mm	451 mm
					800 mm	348 mm	650 mm	601 mm
							850 mm	801 mm
	1	Z	1950 mm	-	600 mm	248 mm	400 mm	351 mm
					700 mm	298 mm	500 mm	451 mm
					800 mm	348 mm	650 mm	601 mm
							850 mm	801 mm

* Sizes are shown as average sizes and may deviate in real life.

■ PRODUCT DATASHEET

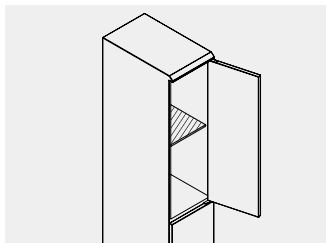
Interior Accessories

Enhance the functionality and customization of your HPL Smart Locker Cabinets with our range of accessories.



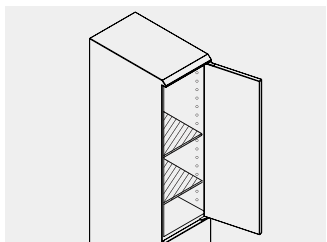
Vertical Partitions

Divide locker compartments efficient organization and segregation of contents.



Additional Shelves

Increase storage capacity and organization with durable shelves.



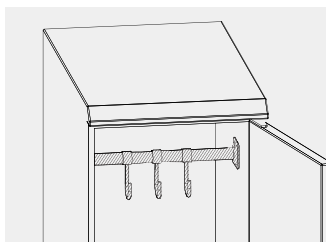
Height Adjustable Shelves

Experience a customizable compartment with height adjustable (white) shelves to increase the storage capacity even more.



Clothing Hook(s)

Steel functional clothing hook with two hanging points.



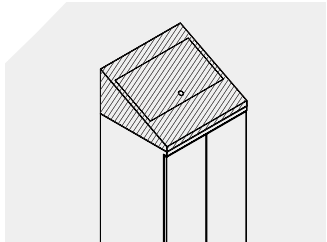
Clothing Rod with 3 Hooks

Steel bar for clothing hangers. Comes with 3 hooks that can be divided along the rod according to your requirements.

■ PRODUCT DATASHEET

Exterior Accessories

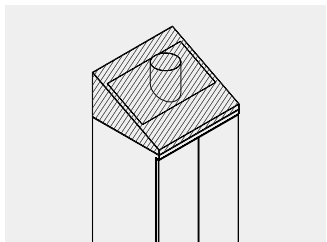
Enhance the functionality and customization of your SOLID Smart Locker Cabinet with our range of accessories.



AC05STXX

Sloping Top

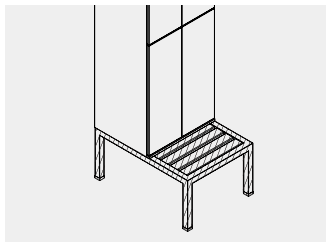
Prevent clutter accumulation and provide a sleek aesthetic finish to your locker cabinet setup.



AC05STMVXX

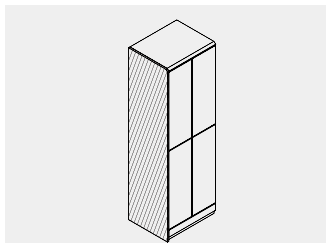
Sloping Top with Ventilation Preparation

Mechanical ventilation can be directly connected to this sloping top, allowing a non-stop refreshment.



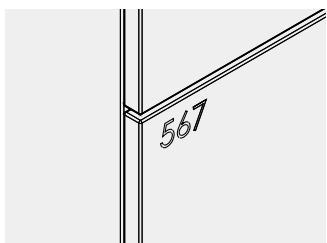
Integrated Bench (No Base/Plinth)

Maximize space efficiency by integrating lockers with a bench underneath, providing convenient seating and storage solutions. Stainless steel with powdercoating in the same color as the seating, provided with HPL seat slats of 12 mm.



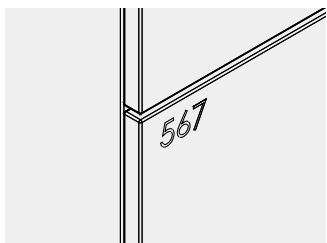
Side Panels (Left and Right)

Finish your cabinets with aesthetically pleasing side panels to create a unified lockerwall.



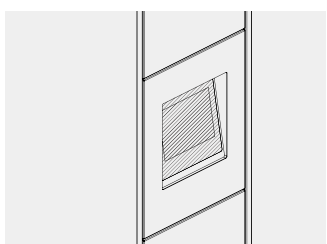
Numbering Plate Engraved

This number can be placed directly in the door for simplified locker management.



Numbering Sticker

This sticker can be placed directly on the door for simplified locker management. Available in colours: Black, Silver/Gray, and white.



Angled Terminal screen

Angled terminal screens in a smart locker cabinet enhance user ergonomics and visibility, making interactions more intuitive and accessible. The Terminal screen will be placed under an angle of 10 degrees.

■ PRODUCT DATASHEET

Technology Accessories

Enhance the functionality and customization of your SOLID Smart Locker Cabinet with our range of accessories.



Smarty 8 Inch Touch Screen

Extensive operating options for a locker, just within reach. This Smarty touch screen offers extensive options for both users and administrators: access via RFID or PIN code and login functionalities and developing scenarios for administrators. The perfect solution if space on the locker is limited.



Smarty 15 Inch Touch Screen

Extensive operating options for a locker, just within reach. This Smarty touch screen offers extensive options for both users and administrators: access via RFID or PIN code and login functionalities and developing scenarios for administrators. The perfect solution if there is a need for a large screen.



Payment Terminal Contactless and PIN

A multifunctional payment terminal that is optimally suited for unattended environments, both indoors and outdoors. This terminal has a camera for scanning barcodes, an antenna for cellular communication and a pre-installed SIM card. This payment terminal allows users to pay quickly and securely with a debit card or mobile wallet.



QR Reader IP66

Access control has never been easier thanks to this QR reader. This QR reader can easily be connected to Keynius products with a USB connection. Seamless integration then ensures an optimal user experience for both users and administrators. The IP66 certification makes this QR reader weatherproof and ideal for outdoor use.

Data sheets that are also available:

- Smarty 8 inch
- Smarty 10 inch
- Smarty 15 inch
- Smarty Headless
- RFID Reader panel
- Smart Home Teacher
- Smart Home Student
- Smart Home Power Supply
- Door Shackle Brighty
- Door Shackle Click
- Cover Suit
- Cover TUX
- Smart Lock Rene
- Battery Lock LEO PIN
- Battery Lock LEO RFID
- Battery Pack Square
- Battery Pack Tall
- Battery Lock LEO Latch
- Battery Lock LEO Horizontal PIN
- Battery Lock LEO Horizontal RFID
- Battery Lock LEO IP65
- Payterm Contactless & PIN
- Payterm Contactless Only
- QR Reader IP65
- Lock Profile
- Advanced RFID Reader
- Basic RFID Reader
- Smart Lock 1.0
- Door Shackle Smart Lock 1.0
- Cover Smart Lock 1.0



Need support?

 +31 (085)-489 13 35

 support@keynius.eu